



MOROOKA

MST-1500VDL / MST-1500VDLG



- Maximum payload is 7t
- HARDOX is adopted for the dump

The HARDOX dump

HARDOX with high-strength and long-term use at forestry sites is adopted for the dump. HARDOX's long service life reduces running costs.



Improved work safety

LED lights above the cabin, large mirrors for better driving vision, and an easy-to-maintain front bumper enhance driving safety.



Driver's seat with excellent comfortability

The synthetic leather operator seat that is water-repellent and stain-resistant and a more compact console box provides a spacious and comfortable driving experience.



Reliable forestry-specific design

Designed specifically for the forestry industry, this machine can maintain the optimum weight balance when loading logs and improve stability when transporting lumber.



Strong undercarriage

Morooka's strong undercarriage provides excellent trampling performance and enhances mobility in forestry work sites with poor footing. Additionally, the wide, thick rubber crawlers are also durable and reduce running costs.

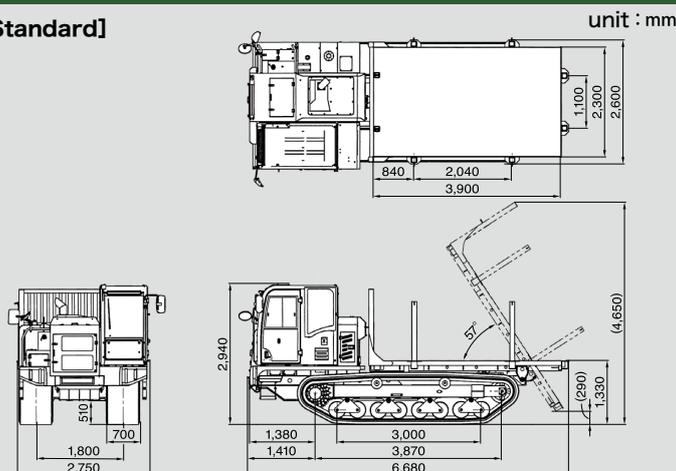


Main specifications

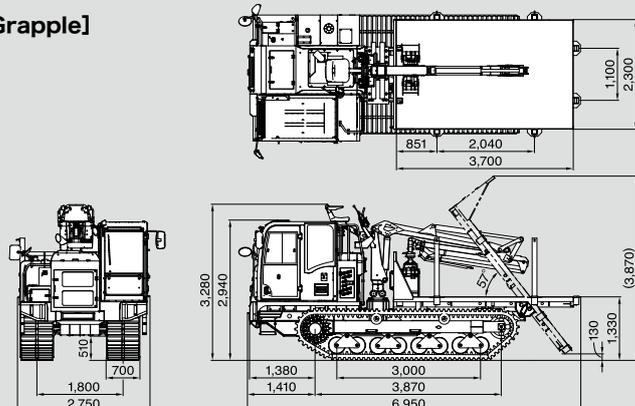
MODEL	MST-1500VDL	MST-1500VDLG	
PERFORMANCE			
Maximum Payload	kg	7,000	6,000
Speed High / Low	km/h	9.6/6.7	
Loading Capacity Struck/Heaped	kPa	25.5/41.8	28.3/42.3
MACHINE DIMENSION & WEIGHT			
Machine Weight	kg	10,900	12,100
Overall Length	mm	6,680	6,950
Overall Width for transport	mm	2,750	
Overall Height	mm	2,940	3,280
Min. Ground Clearance	mm	510	
Crawler Width	mm	700	
Crawler Outer Width	mm	2,500	2,500
DUMP BED (INNER)			
Shape		Flat bed	
Length x Width	mm	3,900 x 2,300	3,700 x 2,300
ENGINE			
Name		Cummins B6.7	
Nominal Output/rpm	kW/rpm	168/2,200	
Grapple			
Name		—	Cranab FC45DT
Grapple capacity		—	300kg x 8.0m
FUEL			
		Diesel	
TANK CAPACITY			
Fuel Tank Capacity	ℓ	200	
Hydraulic Oil Tank Capacity	ℓ	100	
DEF Tank Capacity	ℓ	19	
Name and Type of Vehicle	MST-1500VDL-VB	MST-1500VDLG-VB	
Name and Model of Engine	Cummins QSB6.7-4C		
Emission Standard	Tier4 Final/ EU Stage IV		

Body dimensions

[Standard]



[Grapple]



MOROOKA
Morooka Co., Ltd.



URL: www.morooka.com (English) www.morooka.co.jp (Japanese)
Postal Code : 301-0031
358 Shoubeeshindenmachi, Ryugasaki city, Ibaraki Prefecture, Japan
TEL : +81-297-66-2111 TEL : (Overseas Sales Dept.) : +81-297-86-9034

CONTACT